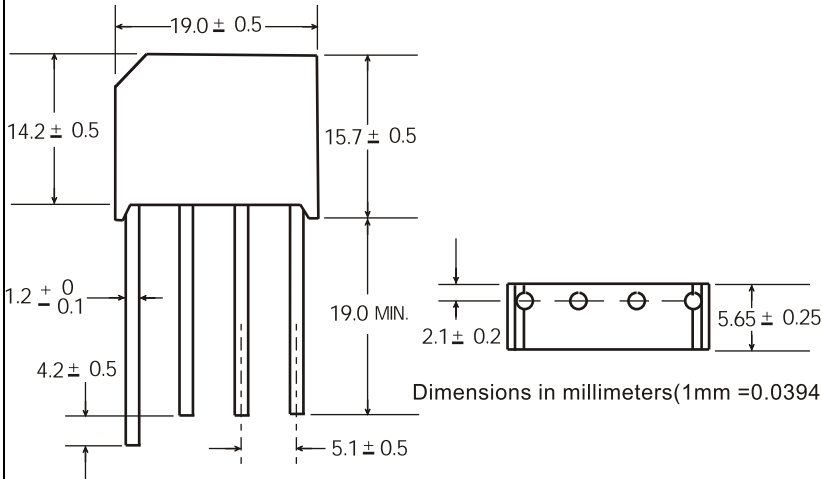


■外形尺寸和印记 Outline Dimensions and Mark



■特征 Features

- Ideal for printed circuit board mounting
- This series is UL listed under the Recognized Component Index, file number E142814
- The plastic material used carries Underwriters Laboratory flammability recognition 94V-0
- Built-in printed circuit board stand-offs
- High case dielectric strength
- High temperature soldering guaranteed 265°C/10 seconds at 5 lbs (2.3kg) tension

■用途 Applications

Case: Reliable low cost construction utilizing molded plastic technique
 Terminals: Plated leads solderable per MIL-STD-202, Method 208
 Mounting Position: Any
 Weight: 0.2 ounce, 5.6 grams (approx)

■极限值 (绝对最大额定值)

Limiting Values (Absolute Maximum Rating)

| 参数名称 Item | 符号 Symbol | 单位 Unit | 条件 Conditions | KBL | | | | | | |
|---|--------------|------------------|--|------------|-----|-----|-----|-----|-----|------|
| | | | | 4005 | 401 | 402 | 404 | 406 | 408 | 410 |
| 反向重复峰值电压 Repetitive Peak Reverse Voltage | V_{RRM} | V | | 50 | 100 | 200 | 400 | 600 | 800 | 1000 |
| 正向平均电流 Average Forward Current | $I_{F(AV)}$ | A | 正弦半波 60Hz,电阻负载, $T_a=50^\circ\text{C}$ 60Hz Half-sine wave, Resistance load, $T_a=50^\circ\text{C}$ | 4.0 | | | | | | |
| 正向 (不重复) 浪涌电流 Surge(Non-repetitive)Forward Current | I_{FSM} | A | 正弦半波 60Hz, 一个周期, $T_a=25^\circ\text{C}$ 60Hz Half-sine wave, 1 cycle, $T_a=25^\circ\text{C}$ | 200 | | | | | | |
| 结温 Junction Temperature | T_J | $^\circ\text{C}$ | | -55~+150 | | | | | | |
| 储存温度 Storage Temperature | T_{STG} | $^\circ\text{C}$ | | -55 ~ +150 | | | | | | |

■电特性 (Ta=25°C 除非另有规定)

Electrical Characteristics ($T_a=25^\circ\text{C}$ Unless otherwise specified)

| 参数名称 Item | 符号 Symbol | 单位 Unit | 测试条件 Test Condition | 最大值 Max |
|---------------------------------------|------------------|---------------------------|--|-------------------------|
| 正向峰值电压 Peak Forward Voltage | V_{FM} | V | $I_{FM}=4.0\text{A}$ | 1.1 |
| 反向峰值电流 Peak Reverse Current | I_{RRM1} | μA | $V_{RM}=V_{RRM}$ | $T_a=25^\circ\text{C}$ |
| | I_{RRM2} | | | $T_a=125^\circ\text{C}$ |
| 热阻(典型) Thermal Resistance(Typical) | $R_{\theta J-A}$ | $^\circ\text{C}/\text{W}$ | 结和环境之间 Between junction and ambient | 10 |

■ 特性曲线 (典型)

Fig. 1 Derating Curve for Output Rectified Current

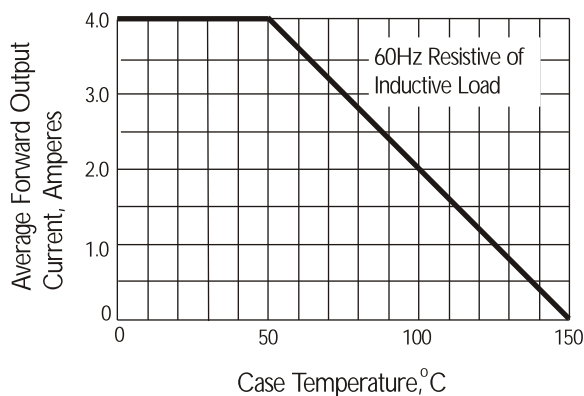


Fig. 2 Maximum Non-repetitive Peak Forward Surge Current

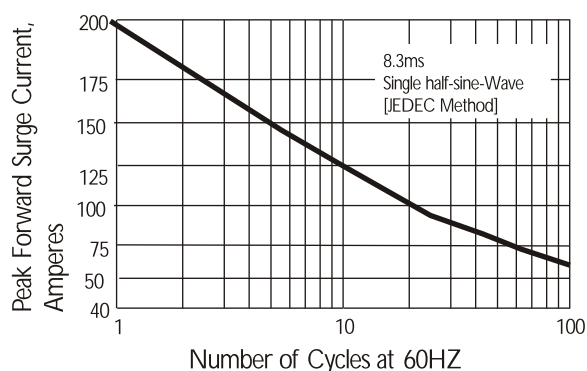


Fig. 3 Typical Instantaneous Forward Characteristics

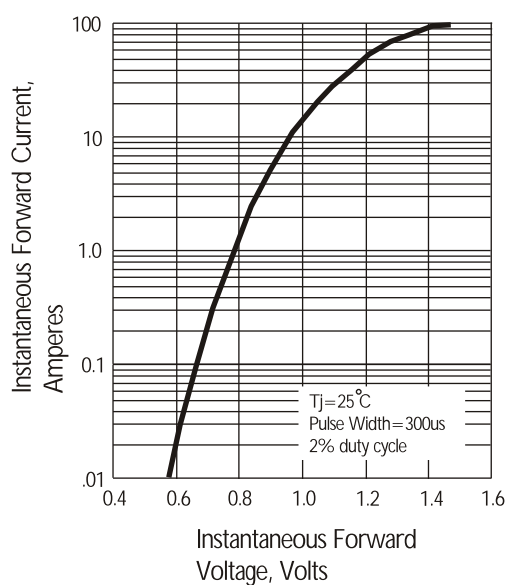


Fig. 4 Typical Reverse Characteristics at Tj=25°C

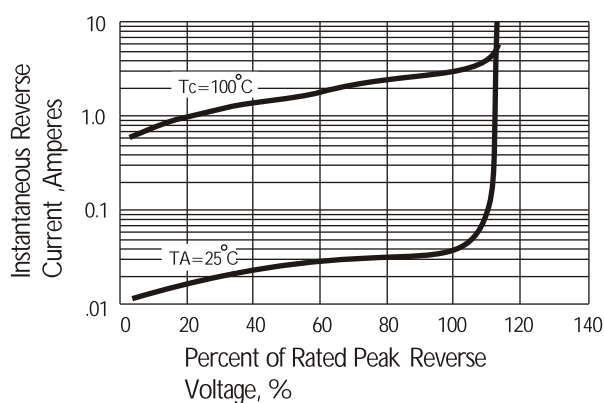


Fig. 5 Typical Junction Capacitance

