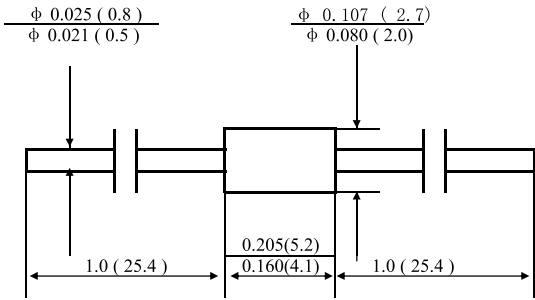


SILICON BIDIRECTIONAL DIACS
双向触发管

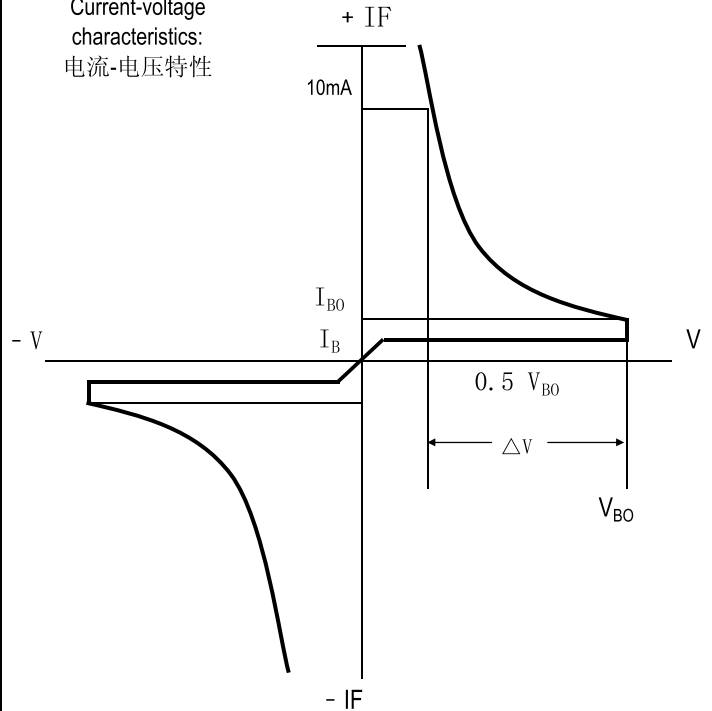
VOLTAGE RANGE: 28 to 36 VOLTS
电压范围

A-405

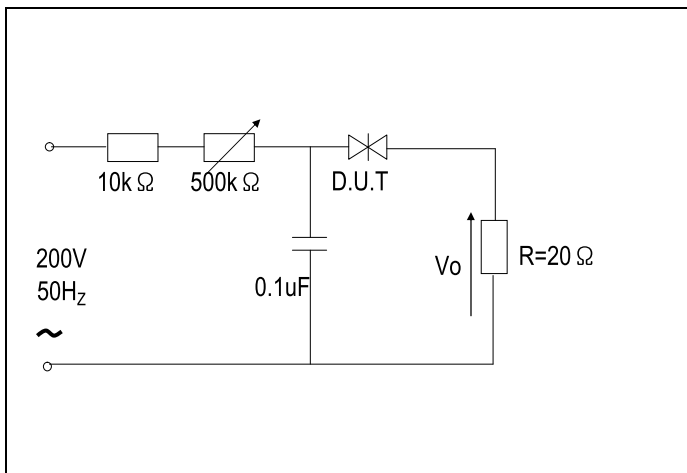


inch (mm)

Current-voltage characteristics:
电流-电压特性



	SYMBOL	DB3	UNITS
Breakover Voltage 触发电压	V_{BO}	28-36	V
Breakover Voltage Symmetry 对称性	$[+V_{BO} - -V_{BO}]$	3	V
Dynamic Breakback Voltage 回弹电压	$ \Delta V_{\pm} $	5	V
Output voltage 输出电压	V_O	5.0	V
Breakover Current 触发电流	I_{BO}	100	μA
Leakage Current 反向漏电流	I_B	10	μA
Rise Time 上升时间	t_r	1.5	μs



Test circuit see diagram 2. Adjust R for $I_p=0.5A$
测试线路 (IP=0.5A) 见图表2

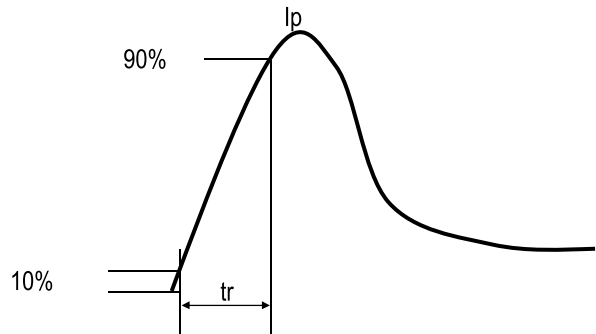


Fig.1: Power dissipation versus ambient temperature(maximum values)

图1: 功率消耗与环境温度(最大值)

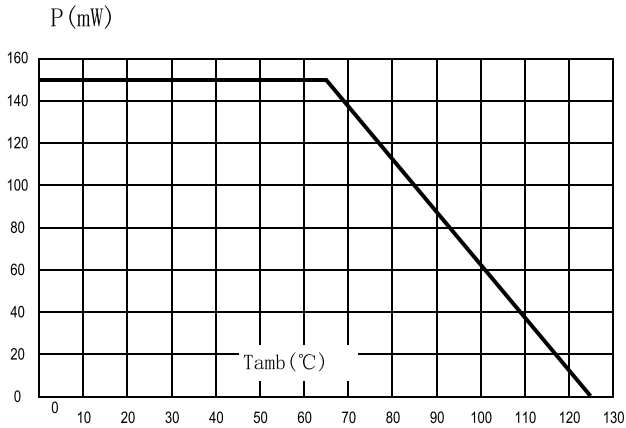


Fig.2: Relative variation of V_{BO} versus junction temperature(typical values)

图2: 触发电压的相对变化量与结温(典型值)

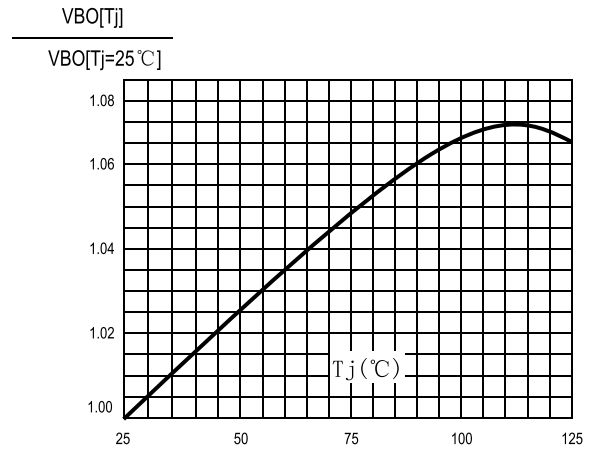


Fig.3: Peak pulse current versus pulse duration(maximum values)

图3: 脉冲峰值电流与脉冲持续时间(最大值)

